
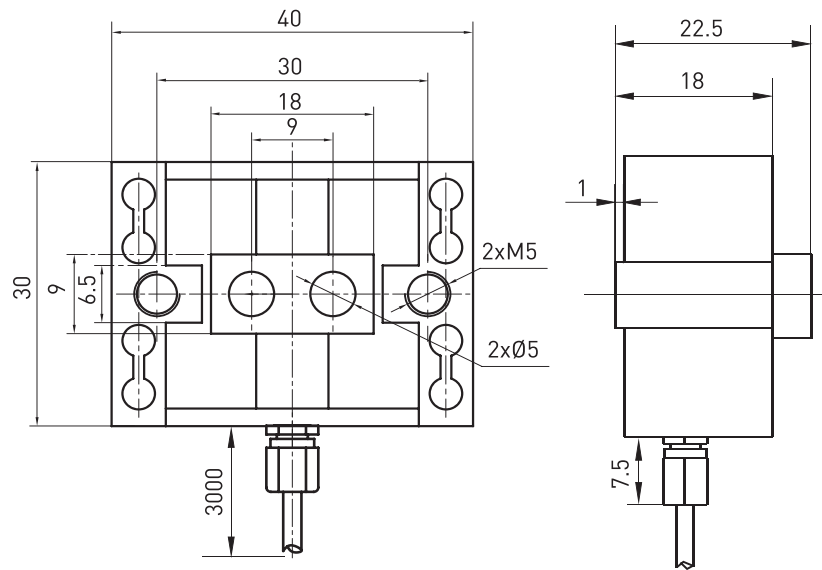


F9839


 Features & Applications

- Two dimensional force sensor
- Made of stainless steel, IP65
- Used for robot arm control and as protection for automation equipment
- Shape and size can be customized

 Size and Capacity


Capacity (kg)	Material	Weight
50	Stainless steel	0.15kg

Note: Interference among two dimensions $\leq 5\%$.

 Technical Parameters

Specifications	Technique (Fx,Fz)
Rated output	1.0 \pm 10% mV/V
Zero balance	\pm 2% F.S.
Non-Linearity	0.5% F.S.
Hysteresis	0.5% F.S.
Repeatability	0.5% F.S.
Temp. effect on output	0.2% F.S. / 10°C
Temp. effect on zero	0.2% F.S. / 10°C
Output impedance	352 \pm 3 Ω
Insulation	2000M Ω / 100VDC
Recommended excitation	5-10V
Maximum excitation	15V
Compensated temp. range	-10 ~ 40 °C
Operation temp. range	-20 ~ 80 °C
Safe overload	120% F.S.
Ultimate overload	150% F.S.
Cable size	\varnothing 2.4 \times 3000 mm
Protection class	IP65
Cable color code	Power:Exc+(Red) Exc-(Black); Fx: Sig+(Green) Sig-(White); Fz: Sig+(Yellow) Sig-(Brown);

 Load Direction
